



Scan the QR code or link to the address below to find a list of datasheets to all products and other support information.

<https://www.tm-readers.com/downloads.htm>



These notes provide a general guidance for connecting and mounting the RXseries® of reader model(s) shown to the right.

Readers should only be installed by a qualified installer.

Mounting readers on (or near) metal may impair the read range of the unit.



RX5M

CONNECTIONS / PIN OUT

WIEGAND readers

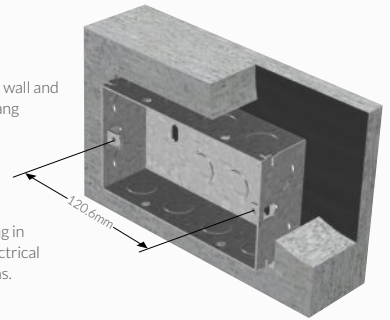
1	0V	- supply voltage ground
2	+Vdc	- supply voltage (+10Vdc to +16Vdc)
3	DATA1/CLK	- Wiegand or Clock & Data output
4	DATA0/DAT	- Wiegand or Clock & Data output
5	GREEN	- Green LED control input
6	RED	- Red LED control input
7	BUZZER	- Buzzer control input
8	TMPR/CP	- Tamper or Card Present output
9	not used	-
10	not used	-

WIEGAND DOOR ACCESS control system

INSTALLATION

1

- Cut and form suitable recess in the wall and securely fix standard UK double-gang electrical back box.
- The back box must have panel fixings at 120.6mm crs.
- Run and position connection cabling in accordance with good practice, electrical guidelines and statutory regulations.



2

- When the back box is secured, make wire connections to the reader module, as shown in the 'CONNECTION' panels to the left.
- Ensure your reader is of the correct technology.
- Make all relevant connections to your control panel.
- **NOTE:** If using the EPDM gasket (as supplied) be sure to feed the cabling through the gasket, before making wire connections to the reader.
- Ensure you position and arrange the cable such not to impair or prevent the reader module being properly secured to the back box.



CONNECTIONS / PIN OUT

OSDP® readers

1	0V	supply voltage ground
2	+Vdc	supply voltage (+10Vdc to +16Vdc)
3	not used	-
4	not used	-
5	not used	-
6	not used	-
7	not used	-
8	not used	-
9	RS485 -	RS-485 Bus
10	RS485+	RS-485 Bus

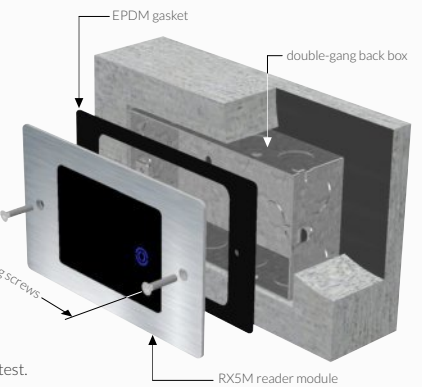
OSDP® DOOR ACCESS control system

OSDP™ Secure

BELDEN 9502 cable (or equivalent minimum 24 AWG) is recommended for use with OSDP readers

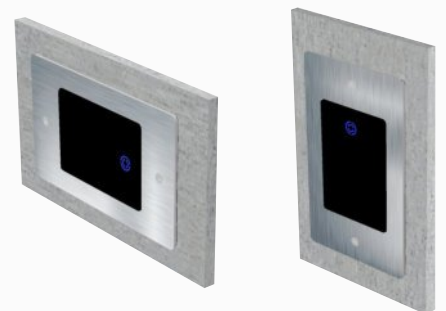
3

- As a final check, before fixing the RX5M reader module, confirm you have wired the PIN-OUT connections correctly.
- Offer up the reader module and securely fix the panel using the M3.5x20mm security screws, as supplied.
- Run activation / performance test.



4

- Standard installation of RX5M reader module.
- As an option, the reader module may be installed as a vertical unit using the guidelines above.



OSDP® reader DEFAULT SETTINGS

i	boud rate	address
	9600	0

It is recommended that a 120 Ω resistor should be fitted between the data lines at each end of the RX485 Bus